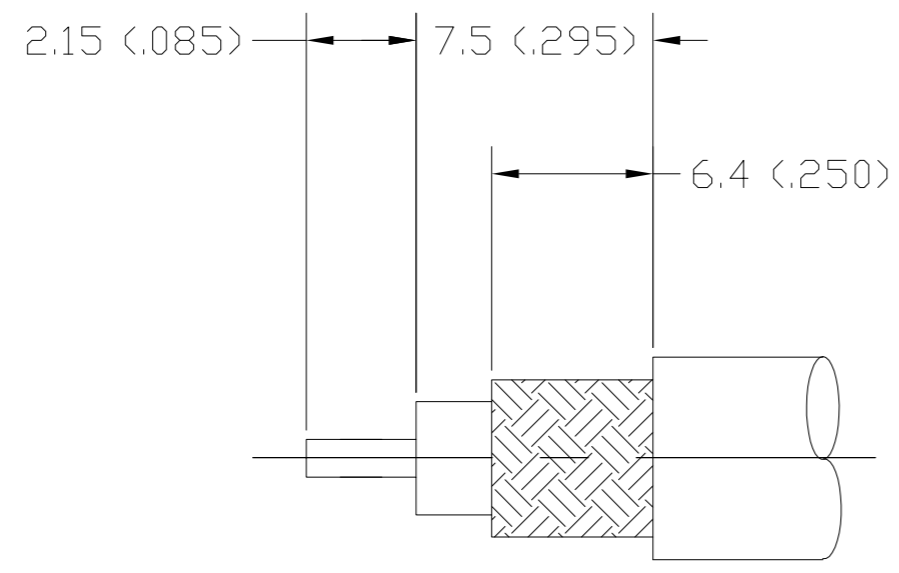
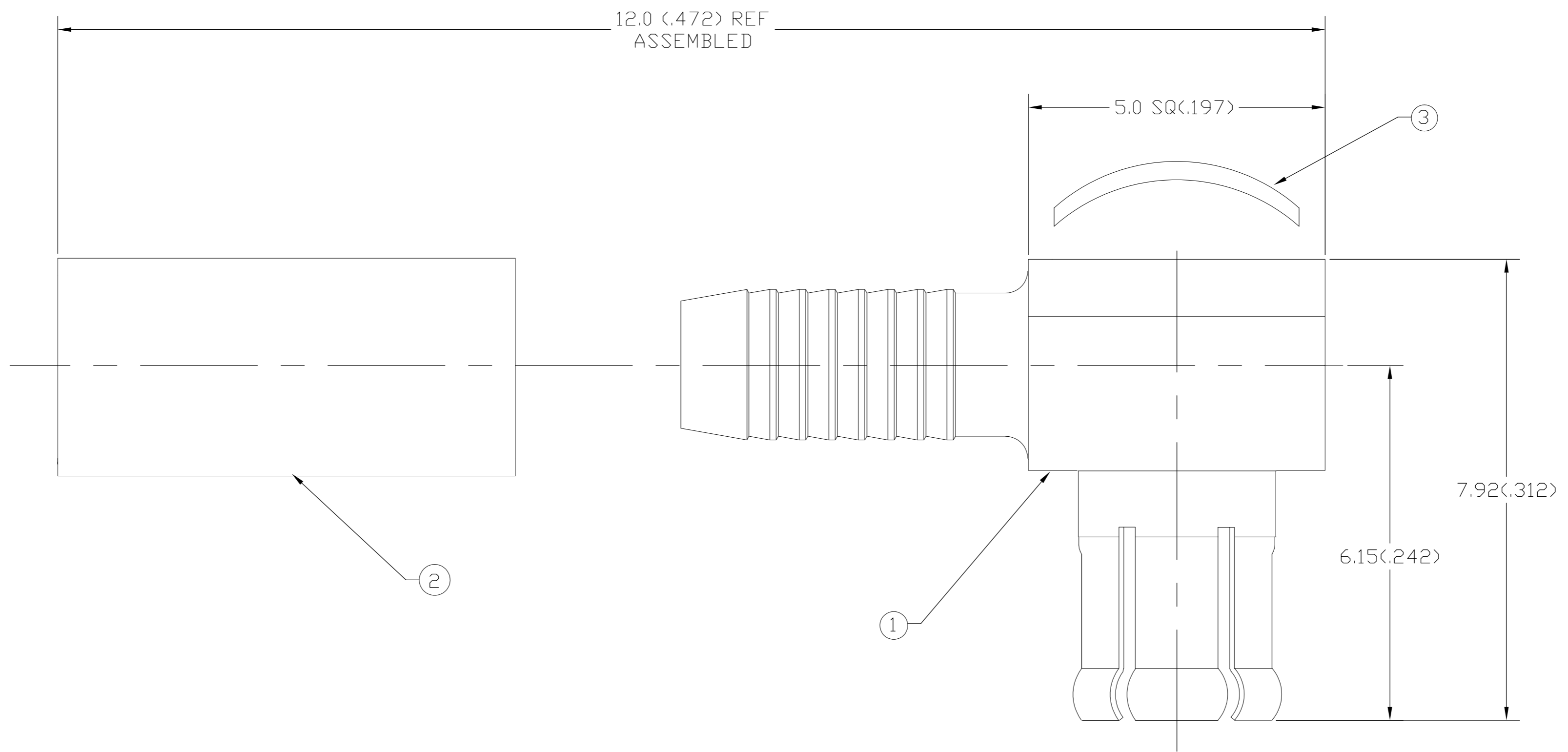


THIS DRAWING IS UNPUBLISHED. RELEASED FOR PUBLICATION
 © COPYRIGHT BY TYCO ELECTRONICS CORPORATION. ALL RIGHTS RESERVED.

LOC	DIST	REVISIONS					
AJ	00	P	LTR	DESCRIPTION	DATE	DWN	APVD
		D		REV PER ECO 08-010862	12MAY2008	DW	JL



CABLE TRIM DIMENSIONS

1. FOR USE IWTH RG-174, RG-188 AND RG-316 CABLE.

GOLD	3-1403081-6	3-413889-1	1408228-2	1330723-3
NICKEL	3-1403081-3	2-413889-4	1408228-1	1330723-1
HOUSING PLATE	CAP ③ QTY=1	FERRULE ② QTY=1	HSG ASSY ① QTY=1	PART NUMBER

THIS DRAWING IS A CONTROLLED DOCUMENT.		DWN	12MAR01	Tyco Electronics Corporation Harrisburg, PA 17105-3608
DIMENSIONS: mm		RMF	12MAR01	
TOLERANCES UNLESS OTHERWISE SPECIFIED:		CHK	12MAR01	
0 PLC ± - 1 PLC ± - 2 PLC ± .13 3 PLC ± - 4 PLC ± - ANGLES ± 1°		APVD	12MAR01	
MATERIAL		PRODUCT SPEC		NAME
FINISH		APPLICATION SPEC	408-8328	MCX RIGHT ANGLE CABLE PLUG CRIMP/SOLDER
		WEIGHT	-	SIZE
		CUSTOMER DRAWING		CAGE CODE
		SCALE	20:1	DRAWING NO
		SHEET	1 of 1	RESTRICTED TO
		REV	D	